



SUBMITTAL DRAWING
AMI - 75DB
THINLINE FIRE DAMPERS

STANDARD CONSTRUCTION

MAXIMUM SIZE

Single section - 48" x 49" - Vertical
 - 41" x 36" - Horizontal

MINIMUM SIZE

4" x 4" - Vertical and Horizontal

FINISH

Mill

Fusible Link.

165 deg. F Standard

FRAME

22 ga. Rollformed Steel frame

BLADES

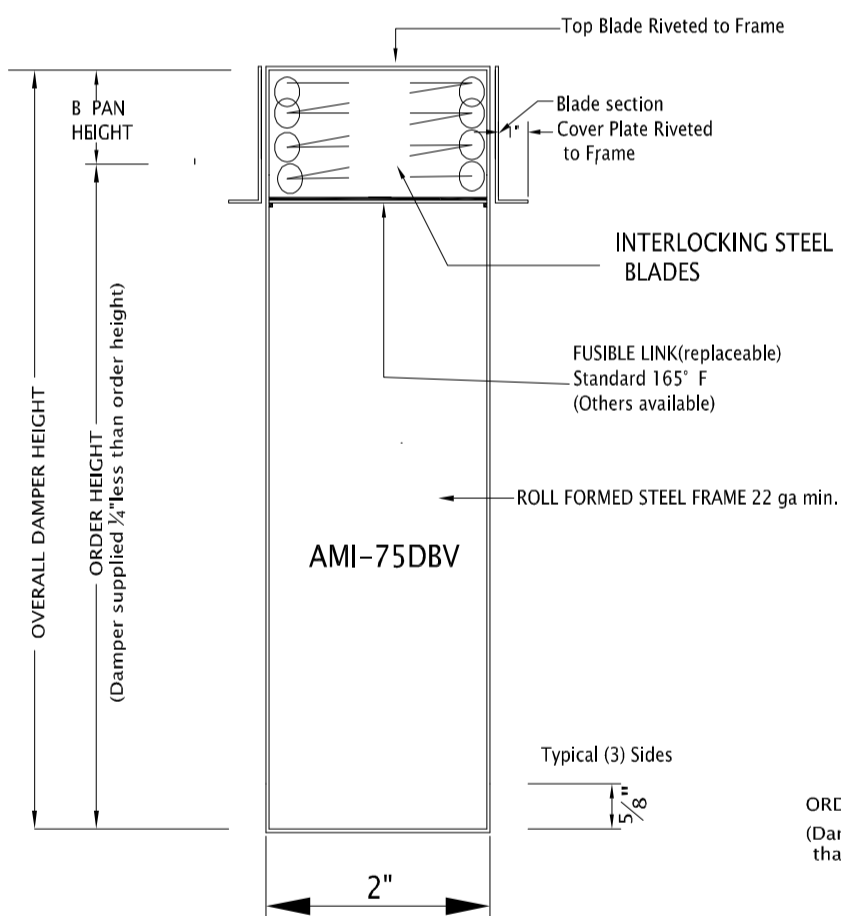
22 ga. Interlocking Steel Blades
 'Out of the Air Stream'

TYPE
DB

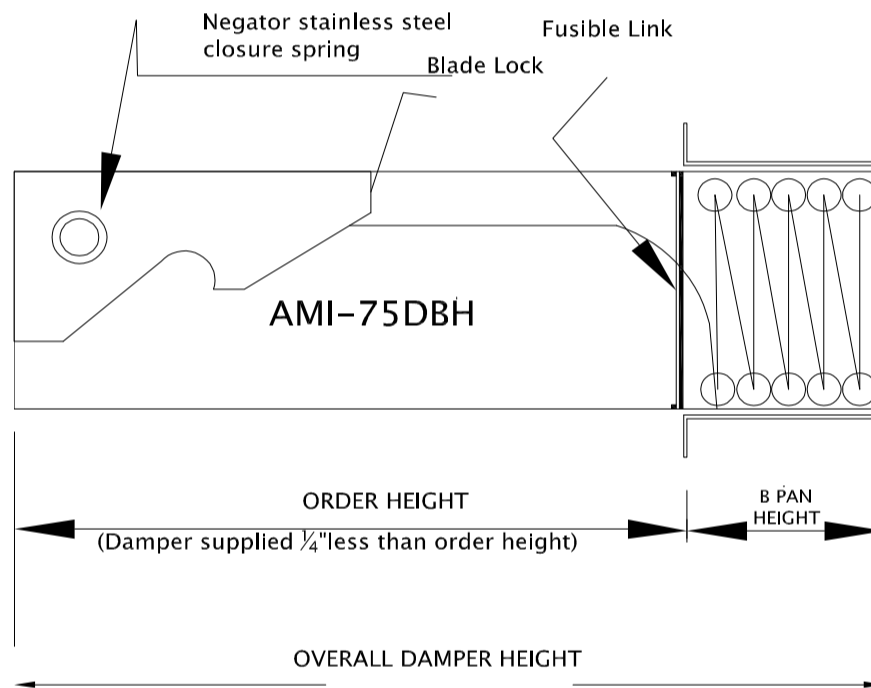
OPTIONS:

- Vertical Mount
- Horizontal Mount
- 165 deg. F. Fusible Link
- 212 deg. F. Fusible Link
- 304 Stainless Steel Construction

HORIZONTAL & VERTICAL
U.L. Classified
1-1/2 Hour Rating

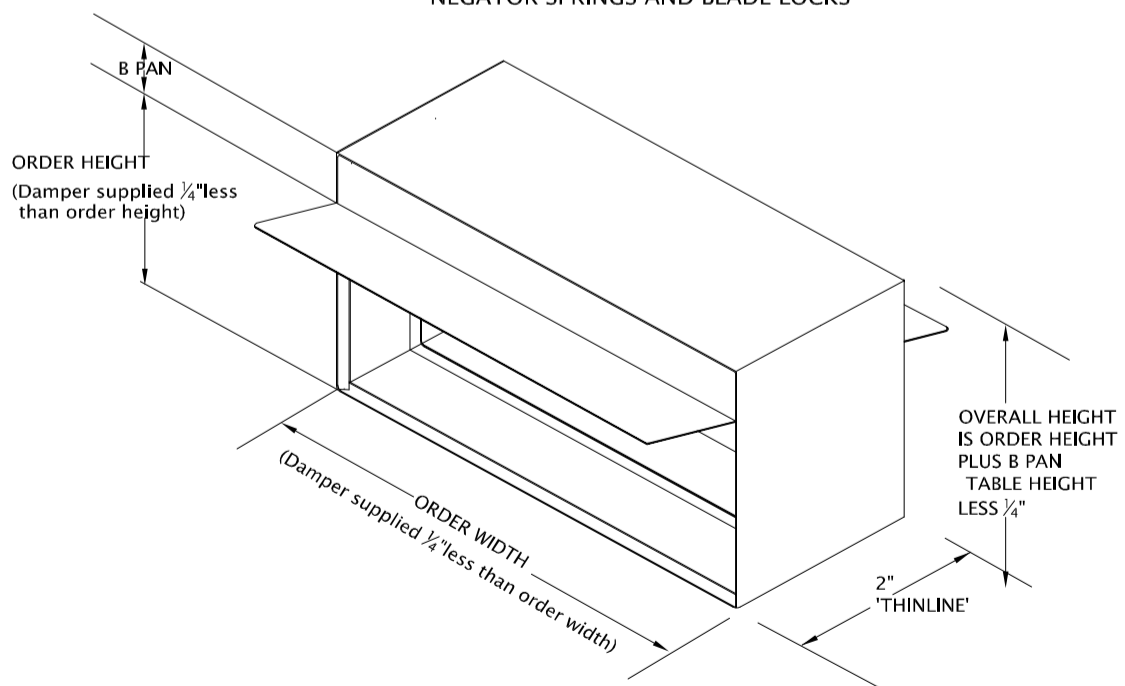


(V) VERTICAL MOUNT



(H) HORIZONTAL MOUNT

HORIZONTAL MOUNTING MODEL INCLUDES STAINLESS STEEL NEGATOR SPRINGS AND BLADE LOCKS



UNDERWRITERS LABORATORIES (UL555)
 CLASSIFIED FIRE DAMPERS
 FIRE RESISTANCE RATED 3 HOURS.
 FOR USE IN UL CLASSIFIED BUILDING
 MATERIALS RATED 4 HOURS OR LESS.

Project:
 Location:
 Architect
 Engineer:

Contractor:
 Address:
 P.O. Number:
 Date: