



**SUBMITTAL DRAWING
AMI -75 B
STATIC FIRE DAMPER**

STANDARD CONSTRUCTION

MAXIMUM SIZE

Single section -60" x 53" - Vertical
and 34"x53" Horizontal

MINIMUM SIZE

4" x 3" - Vertical
4" x 3" - Horizontal

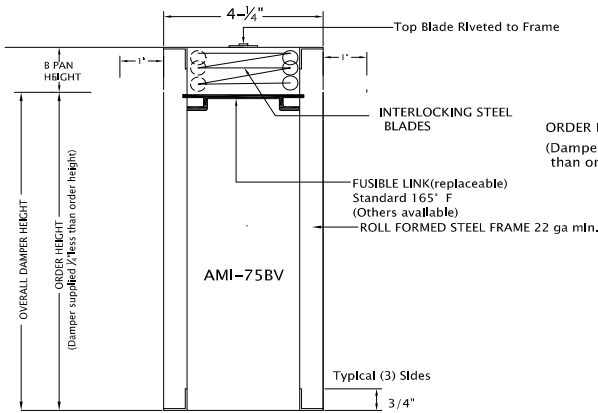
FINISH

Mill

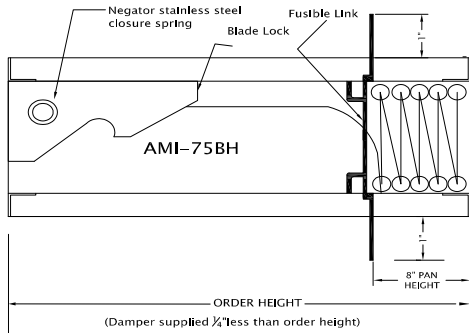
Fusible Link.

165 deg. F Standard

Horizontal & Vertical
U.L Classified
1-1/2 Hour Rating



(V) VERTICAL MOUNT



(H) HORIZONTAL MOUNT

HORIZONTAL MOUNTING MODEL INCLUDES STAINLESS STEEL NEGATOR SPRINGS AND BLADE LOCKS

**TYPE
B**

FRAME

22 ga. Rollformed Steel frame

MULTIPLE SECTIONS ASSEMBLY

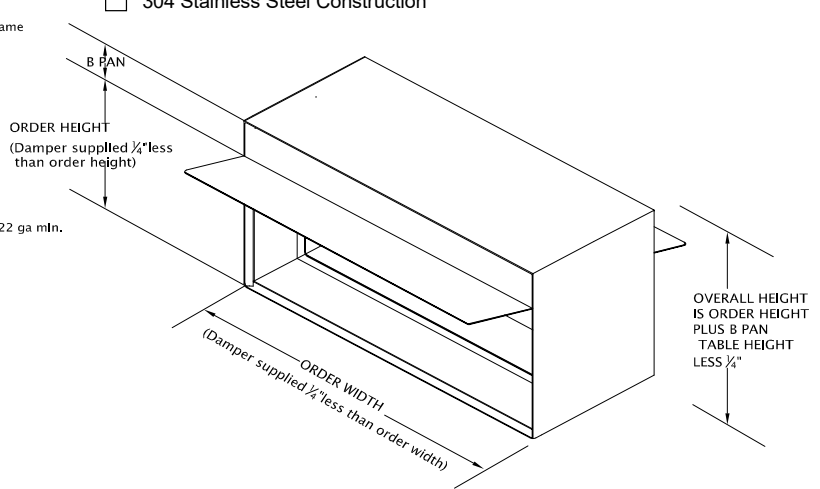
120" x 113" - Vertical
102" x 53" - Horizontal

BLADES

22 ga. Interlocking Steel Blades
'Out of Air Stream'

OPTIONS:

- Vertical Mount
- Horizontal Mount
- 165 deg. F. Fusible Link
- 212 deg. F. Fusible Link
- 304 Stainless Steel Construction



UNDERWRITERS LABORATORIES (UL555)
CLASSIFIED FIRE DAMPERS
FIRE RESISTANCE RATED 1.5 HOURS.
FOR USE IN UL CLASSIFIED BUILDING
MATERIALS RATED 2 HOURS OR LESS.

Project:
Location:
Architect
Engineer:

Contractor:
Address:
P.O. Number:
Date: